

Drip Feed Lubricators

Lubrificateurs Goutte à Goutte

Tropföler



Drip Feed Lubricators

A range of gravity and forced feed oilers for lubricating single or multiple points and for use in conjunction with brushes to lubricate conveyor chains. Reservoirs are available in plexiglas or glass and range in capacity from 14 cc to 3 litres. Solenoid operation and timers are optional.

Lubrificateurs Goutte à Goutte

Une gamme de huileurs par gravité pour lubrifier un ou plusieurs points et en conjonction avec des brosses pour la lubrification des chaînes. Les réservoirs d'une capacité de 14 cm³ à 3 litres sont disponibles en plexiglass ou en verre. Ils peuvent être équipés' d'une vanne électrique commandée' par une minuterie.

Tropföler

Lieferbar sowohl als Schwerkraftsystem als auch als Drucksystem zur Schmierung einzelner oder mehrerer Stellen. Bürsten als Zubehör ermöglichen die Schmierung von Ketten. Vorratsbehälter von 14 ml bis 3l sind lieferbar in Plexiglas oder Glas. Magnetventile und Zeitsteuerungen ermöglichen volle Automatisierung.

Drip Feed Lubricators



MANUAL ON/OFF SINGLE OUTLET Material - BRASS Bottle - GLASS Maximum operating temperature 80°C

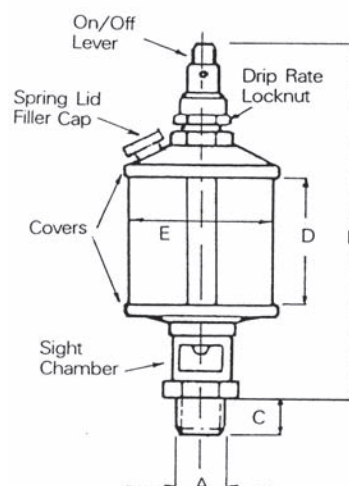
Product Code	A	B mm	C mm	D mm	E mm	Capacity ml
GSF 130	1/8 BSP	97	8	30	30	15
GSFN 130	1/8 NPT					
GSF 230	1/4 BSP					
GSFN 230	1/4 NPT					
GSF 240	1/4 BSP	110	10	36	40	35
GSFN 240	1/4 NPT					
GSF 340	3/8 BSP					
GSFN 340	3/8 NPT					
GSF 250	1/4 BSP	126	10	50	50	80
GSFN 250	1/4 NPT					
GSF350	3/8 BSP					
GSFN 350	3/8 NPT					
GSF 260	1/4 BSP	140	10	60	60	150
GSFN 260	1/4 NPT					
GSF 360	3/8 BSP					
GSFN 360	3/8 NPT					
GSF 460	1/2 BSP					
GSFN 460	1/2 NPT					
GSF 268	1/4 BSP	160	10	80	60	200
GSFN 268	1/4 NPT					
GSF 368	3/8 BSP					
GSFN 368	3/8 NPT					
GSF 468	1/2 BSP					
GSFN 468	1/2 NPT					
GSF 380	3/8 BSP	185	15	100	80	400
GSFN 380	3/8 NPT					
GSF 480	1/2 BSP					
GSFN 480	1/2 NPT					
GSF 4100	1/2 BSP	210	15	120	100	900
GSFN 4100	1/2 NPT					
GSF 5100	3/4 BSP					
GSFN 5100	3/4 NPT					

Seals - FIBRE & NITRILE 80
Finish - NATURAL BRASS



Material - BRASS Bottle - PLEXIGLASS Maximum operating temperature 70°C

Product Code	A	B mm	C mm	D mm	E mm	Capacity ml
PSF 130	1/8 BSP	97	8	30	30	15
PSFN 130	1/8 NPT					
PSF 230	1/4 BSP					
PSFN 230	1/4 NPT					
PSF 240	1/4 BSP	110	10	36	40	35
PSFN 240	1/4 NPT					
PSF 340	3/8 BSP					
PSFN 340	3/8 NPT					
PSF 250	1/4 BSP	126	10	50	50	80
PSFN 250	1/4 NPT					
PSF 350	3/8 BSP					
PSFN 350	3/8 NPT					
PSF 260	1/4 BSP	140	10	60	60	150
PSFN 260	1/4 NPT					
PSF 360	3/8 BSP					
PSFN 360	3/8 NPT					
PSF 460	1/2 BSP					
PSFN 460	1/2 NPT					
PSF 268	1/4 BSP	160	10	80	60	200
PSFN 268	1/4 NPT					
PSF 368	3/8 BSP					
PSFN 368	3/8 NPT					
PSF 468	1/2 BSP					
PSFN 468	1/2 NPT					
PSF 380	3/8 BSP	185	15	100	80	400
PSFN 380	3/8 NPT					
PSF 480	1/2 BSP					
PSFN 480	1/2 NPT					
PSF 4100	1/2 BSP	210	15	120	100	900
PSFN 4100	1/2 NPT					
PSF 5100	3/4 BSP					
PSFN 5100	3/4 NPT					



SPARE GLASSES AVAILABLE

To order Plexiglas use Ref PB plus diameter.
To order Glass use Ref GB plus diameter.

i.e. PB 80 Plexiglas bottle 80mm diameter.

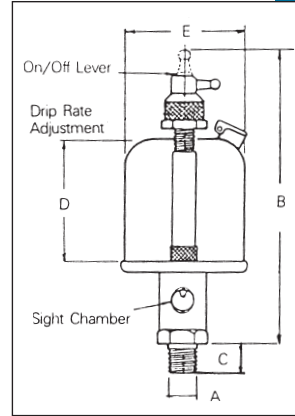
Drip Feed Lubricators



MANUAL ON/OFF SINGLE OUTLET

Material - STEEL Finish - NICKEL Sight Chamber - ALUMINIUM Bottle - PLASTIC
Seals - STENCORRA Maximum operating temperature: 65° C

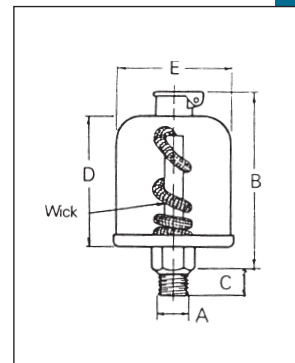
Product Code	A	B mm	C mm	D mm	E mm	Capacity ml
USF 7402	1/8 BSP	102	10	38	32	21
USFN 7402	1/8 NPT					
USF 7403	1/4 BSP	102	11	38	32	21
USFN 7403	1/4 NPT					
USF 7409	1/8 BSP	111	10	48	38	42
USFN 7409	1/8 NPT					
USF 7410	1/4 BSP	111	11	48	38	42
USFN 7410	1/4 NPT					
USF 7416	1/8 BSP	121	10	54	44	70
USFN 7416	1/8 NPT					
USF 7417	1/4 BSP	121	11	54	44	70
USFN 7417	1/4 NPT					
USF 7424	1/4 BSP	134	13	60	51	98
USFN 7424	1/4 NPT					
USF 7431	1/4 BSP	140	13	64	57	140
USFN 7431	1/4 NPT					
USF 7432	3/8 BSP	140	14	64	57	140
USFN 7432	3/8 NPT					
USF 7438	1/4 BSP	144	13	70	64	182
USFN 7438	1/4 NPT					
USF 7439	3/8 BSP	144	14	70	64	182
USFN 7439	3/8 NPT					



WICK FEED SINGLE OUTLET

Material - STEEL Finish - ZINC Bottle - PLASTIC
Maximum operating temperature 65°C

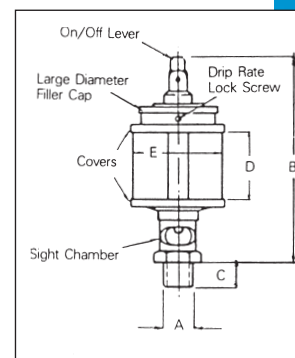
Product Code	A	B mm	C mm	D mm	E mm	Capacity ml
SWF 7701	1/8 BSP	55	8	37	32	17
SWFN 7701	1/8 NPT					
SWF 7706	1/8 BSP	65	8	47	38	35
SWFN 7706	1/8 NPT					
SWF 7712	1/4 BSP	75	13	53	44	63
SWFN 7712	1/4 NPT					
SWN 7717	1/4 BSP	81	13	59	50	84
SWFN 7717	1/4 NPT					



MANUAL ON/OFF SINGLE OUTLET - LARGE FILLER

Material - BRASS Bottle - GLASS. Seals - FIBRE & NITRILE 80
Maximum operating temperature: 80°C Finish - NATURAL BRASS

Product Code	A	B mm	C mm	D mm	E mm	Capacity ml
GSL 130	1/8 BSP	88	8	30	30	15
GSLN 130	1/8 NPT					
GSL 230	1/4 BSP	119	10	50	50	80
GSLN 230	1/4 NPT					
GSL 250	1/4 BSP	129	10	60	60	150
GSLN 250	1/4 NPT					
GSL 350	3/8 BSP	149	10	80	60	200
GSLN 350	3/8 NPT					
GSL 260	1/4 BSP	185	16	100	80	400
GSLN 260	1/4 NPT					
GSL 360	3/8 BSP	185	16	100	80	400
GSLN 360	3/8 NPT					
GSL 268	1/4 BSP	185	16	100	80	400
GSLN 268	1/4 NPT					
GSL 368	3/8 BSP	185	16	100	80	400
GSLN 368	3/8 NPT					
GSL 380	3/8 BSP	185	16	100	80	400
GSLN 380	3/8 NPT					
GSL 480	1/2 BSP	185	16	100	80	400
GSLN 480	1/2 NPT					



Drip Feed Lubricators



MANUAL ON/OFF SINGLE OUTLET - LARGE FILLER/continued

Material - BRASS Bottle - GLASS

Product Code	A	B mm	C mm	D mm	E mm	Capacity ml
*GSL 4100	1/2 BSP	208	16	120	100	900
*GSLN 4100	1/2 NPT					
*GSL 5100	3/4 BSP					
*GSLN 5100	3/4 NPT					
*GSL 4133	1/2 BSP	250	16	150	130	1900
*GSLN 4133	1/2 NPT					
*GSL 5133	3/4 BSP					
*GSLN 5133	3/4 NPT					
*GSL 4150	1/2 BSP	280	16	180	150	3000
*GSLN 4150	1/2 NPT					
*GSL 5150	3/4 BSP					
*GSLN 5150	3/4 NPT					

*Available with low level switch, add suffix "FS" to product code.

Material - BRASS Bottle - PLEXIGLASS

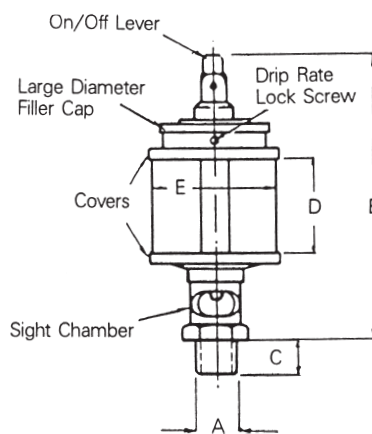
Seals - FIBRE & NITRILE 80

Maximum operating temperature: 70°C

Finish - NATURAL BRASS

Product Code	A	B mm	C mm	D mm	E mm	Capacity ml
PSL 130	1/8 BSP	88	8	30	30	15
PSLN 130	1/8 NPT					
PSL 230	1/4 BSP					
PSLN 230	1/4 NPT					
PSL 240	1/4 BSP	111	10	40	40	35
PSLN 240	1/4 NPT					
PSL 340	3/8 BSP					
PSLN 340	3/8 NPT					
PSL 250	1/4 BSP	119	10	50	50	80
PSLN 250	1/4 NPT					
PSL 350	3/8 BSP					
PSLN 350	3/8 NPT					
PSL 260	1/4 BSP	129	10	60	60	150
PSLN 260	1/4 NPT					
PSL 360	3/8 BSP					
PSLN 360	3/8 NPT					
PSL 268	1/4 BSP	149	10	80	60	200
PSLN 268	1/4 NPT					
PSL 368	3/8 BSP					
PSLN 368	3/8 NPT					
PSL 380	3/8 BSP	185	16	100	80	400
PSLN 380	3/8 NPT					
PSL 480	1/2 BSP					
PSLN 480	1/2 NPT					
*PSL 4100	1/2 BSP	208	16	120	100	900
*PSLN 4100	1/2 NPT					
*PSL 5100	3/4 BSP					
*PSLN 5100	3/4 NPT					
*PSL 4133	1/2 BSP	250	16	150	130	1900
*PSLN 4133	1/2 NPT					
*PSL 5133	3/4 BSP					
*PSLN 5133	3/4 NPT					
*PSL 4150	1/2 BSP	280	16	180	150	3000
*PSLN 4150	1/2 NPT					
*PSL 5150	3/4 BSP					
*PSLN 5150	3/4 NPT					

*Available with low level switch, add suffix "FS" to product code.



These oilers have shut-off control and needle valve oil feed adjustment. A sight chamber is provided to check the oil flow drip rate

SPARE GLASSES AVAILABLE

To order Plexiglas use Ref PB plus diameter.

To order Glass use Ref GB plus diameter.

i.e. PB 80 Plexiglas bottle 80mm diameter.

Drip Feed Lubricators



SOLENOID OPERATED SINGLE OUTLET

Materials: Covers - BRASS Bottle - GLASS Finish - NICKEL
 Seals - FIBRE & NITRILE 80 Maximum operating temperature: 80°C
 Electrical rating: 12VA IP 20 (DIN 40050)

Product Code	A	F	B mm	C mm	D mm	E mm	Capacity ml
GSD 460 GSDN 460	1/2 BSP 1/2 NPT	1/4 BSP 1/4 NPT	150	15	60	60	140
GSD 468 GSDN 468	1/2 BSP 1/2 NPT	1/4 BSP 1/4 NPT	185	15	80	60	200
GSD 480 GSDN 480	1/2 BSP 1/2 NPT	1/4 BSP 1/4 NPT	210	15	100	80	400
GSD 4100 GSDN 4100	1/2 BSP 1/2 NPT	1/4 BSP 1/4 NPT	250	15	120	100	900
GSD 4133 GSDN 4133	1/2 BSP 1/2 NPT	1/4 BSP 1/4 NPT	285	15	150	133	1900
GSD 4150 GSDN 4150	1/2 BSP 1/2 NPT	1/4 BSP 1/4 NPT	315	15	180	150	3000

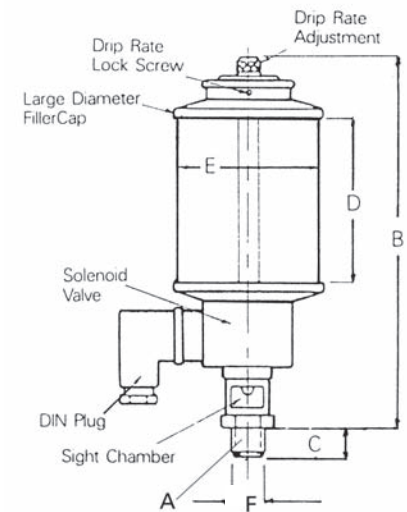
Voltages available: 12V DC, 24V DC, 24V AC, 110V 50Hz, 230V 50Hz, 415V 50Hz
 When ordering, please state voltage required.

Materials: Covers - BRASS Bottle - PLEXIGLAS Finish - NICKEL

Seals - FIBRE & NITRILE 80 Maximum operating temperature 70°C
 Electrical rating 12VA IP20 (DIN 40050)

Product Code	A	F	B mm	C mm	D mm	E mm	Capacity ml
PSD 460 PSDN 460	1/2 BSP 1/2 NPT	1/4 BSP 1/4 NPT	150	15	60	60	140
PSD 468 PSDN 468	1/2 BSP 1/2 NPT	1/4 BSP 1/4 NPT	185	15	80	60	200
PSD 480 PSDN 480	1/2 BSP 1/2 NPT	1/4 BSP 1/4 NPT	210	15	100	80	400
PSD 4100 PSDN 4100	1/2 BSP 1/2 NPT	1/4 BSP 1/4 NPT	250	15	120	100	900
PSD 4133 PSDN 4133	1/2 BSP 1/2 NPT	1/4 BSP 1/4 NPT	285	15	150	133	1900
PSD 4150 PSDN 4150	1/2 BSP 1/2 NPT	1/4 BSP 1/4 NPT	315	15	180	150	3000

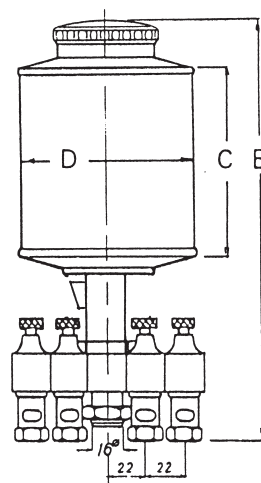
Voltages available: 12V DC, 24V DC, 24V AC, 110V 50Hz, 230V 50Hz, 415V 50Hz
 When ordering, please state voltage required. Timer for use with GSD/PSD shown on page 15



MANUAL ON/OFF MULTI-OUTLET with 2 outlets

Material - BRASS Bottle - GLASS Finish - NICKEL/BRASS
 Seals - FIBRE & NITRILE 80 Maximum operating temperature: 80°C

Product Code	A	B mm	C mm	D mm	Capacity ml
GTM 160 GTMN 160	1/8 BSP 1/8 NPT	160	60	60	140
GTM 168 GTMN 168	1/8 BSP 1/8 NPT	180	80	60	200
GTM 180 GTMN 180	1/8 BSP 1/8 NPT	220	100	80	400
*GTM 1100 *GTMN 1100	1/8 BSP 1/8 NPT	260	120	100	900
*GTM 1133 *GTMN 1133	1/8 BSP 1/8 NPT	305	150	133	1900
*GTM 1150 *GTMN 1150	1/8 BSP 1/8 NPT	335	180	150	3000



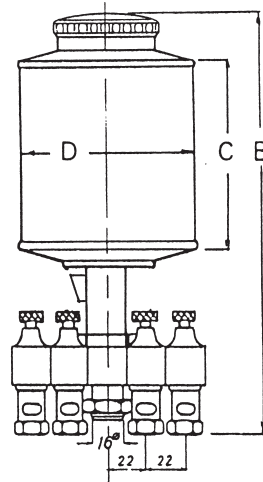
* Available with low level switch, add suffix "FS" to product code.
 When ordering, please state quantity if more than 2 distribution outlets are required.

Drip Feed Lubricators

MANUAL ON/OFF MULTI-OUTLET with 2 outlets/continued

Material - BRASS Bottle - PLEXIGLAS Seals - FIBRE & NITRILE 80 Finish - NICKEL/BRASS
 Maximum operating temperature 70°C

Product Code	A	B mm	C mm	D mm	Capacity ml
PTM 160	1/8 BSP				
PTMN 160	1/8 NPT	160	60	60	140
PTM 168	1/8 BSP				
PTMN 168	1/8 NPT	180	80	60	200
PTM 180	1/8 BSP				
PTMN 180	1/8 NPT	220	100	80	400
*PTM 1100	1/8 BSP				
*PTMN 1100	1/8 NPT	260	120	100	900
*PTM 1133	1/8 BSP				
*PTMN 1133	1/8 NPT	305	150	133	1900
*PTM 1150	1/8 BSP				
*PTMN 1150	1/8 NPT	335	180	150	3000



* Available with low level switch, add suffix "FS" to product code.
 Please state quantity if more than 2 distribution outlets are required.

SOLENOID OPERATED MULTI-OUTLET with 2 outlets

Material - BRASS Bottle - GLASS Seals - FIBRE & NITRILE 80 Finish - NICKEL/BRASS
 Maximum operating temperature: 80°C

Product Code	A	B mm	C mm	D mm	Capacity ml
GET 160	1/8 BSP				
GETN 160	1/8 NPT	175	60	60	140
GET 168	1/8 BSP				
GETN 168	1/8 NPT	195	80	60	200
GET 180	1/8 BSP				
GETN 180	1/8 NPT	235	100	80	400
*GET 1100	1/8 BSP				
*GETN 1100	1/8 NPT	275	120	100	900
*GET 1133	1/8 BSP				
*GETN 1133	1/8 NPT	320	150	133	1900
*GET 1150	1/8 BSP				
*GETN 1150	1/8 NPT	350	180	150	3000



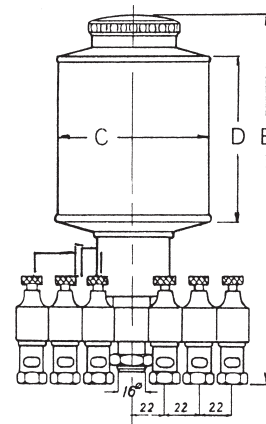
Voltages available: 12V DC, 24V DC, 24V AC, 110V 50Hz, 230V 50Hz, 415V 50Hz
 When ordering, please state voltage and number of outlets if more than 2 are required.

* Available with low level switch, add suffix "FS" to product code.

Material - BRASS Bottle - PLEXIGLASS

Seals - FIBRE & NITRILE 80 Maximum operating temperature 70°C
 Finish - NICKEL PLATED COVERS

Product Code	A	B mm	C mm	D mm	Capacity ml
PET 160	1/8 BSP				
PETN 160	1/8 NPT	175	60	60	140
PET 168	1/8 BSP				
PETN 168	1/8 NPT	195	80	60	200
PET 180	1/8 BSP				
PETN 180	1/8 NPT	235	100	80	400
*PET 1100	1/8 BSP				
*PETN 1100	1/8 NPT	275	120	100	900
*PET 1133	1/8 BSP				
*PETN 1133	1/8 NPT	320	150	133	1900
*PET 1150	1/8 BSP				
*PETN 1150	1/8 NPT	350	180	150	3000



Voltages available: 12V DC, 24V DC, 24V AC, 110V 50Hz, 230V 50Hz, 415V 50Hz

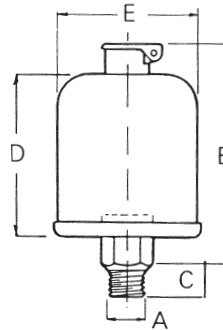
When ordering, please state voltage and number of outlets if more than 2 are required.

*Available with low level switch, add suffix "FS" to product code. Timer for use with GET/PET shown on page 15.

Drip Feed Lubricators

OIL RESERVOIR with surge arrester

Material - STEEL Bottle - PLASTIC Finish - ZINC
Maximum operating temperature 65°C



Product Code	A	B mm	C mm	D mm	E mm	Capacity ml
OR 7708	1/4 BSP					
ORN 7708	1/4 NPT	62	12	45	38	35
OR 7714	1/4 BSP					
ORN 7714	1/4 NPT	77	12	54	44	63
OR 7724	1/4 BSP					
ORN 7724	1/4 NPT	86	12	63	57	127
OR 7730	1/4 BSP					
ORN 7730	1/4 NPT	93	12	69	64	170

OIL RESERVOIR

Material - BRASS Bottle - GLASS Finish - NICKEL
Seals - FIBRE & NITRILE 80 Maximum operating temperature: 80°C

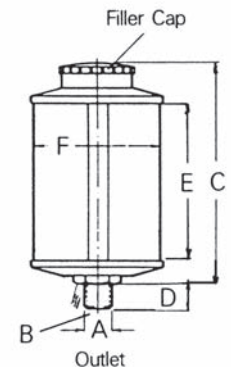


Product Code	A	B mm	C mm	D mm	E mm	F mm	Capacity ml
GRE 260	1/4 BSP	---					
GREN 260	1/4 NPT	---	99	14	60	60	140
GRE 360	3/8 BSP	---					
GREN 360	3/8 NPT	---					
GRE 268	1/4 BSP	---					
GREN 268	1/4 NPT	---	119	14	80	60	200
GRE 368	3/8 BSP	---					
GREN 368	3/8 NPT	---					
GRE 280	1/4 BSP	---					
GREN 280	1/4 NPT	---	148	14	100	80	400
GRE 380	3/8 BSP	---					
GREN 380	3/8 NPT	---					
*GRE 2100	1/4 BSP	---					
*GREN 2100	1/4 NPT	---					
*GRE 3100	3/8 BSP	---	175	14	120	100	900
*GREN 3100	3/8 NPT	---					
*GRE 4100	1/2 BSP	1/4 BSP					
*GREN 4100	1/2 NPT	1/4 NPT					
*GRE 2133	1/4 BSP	---					
*GREN 2133	1/4 NPT	---					
*GRE 3133	3/8 BSP	---	215	14	150	133	1900
*GREN 3133	3/8 NPT	---					
*GRE 4133	1/2 BSP	1/4 BSP					
*GREN 4133	1/2 NPT	1/4 NPT					
*GRE 2150	1/4 BSP	---					
*GREN 2150	1/4 NPT	---					
*GRE 3150	3/8 BSP	---	250	14	180	150	3000
*GREN 3150	3/8 NPT	---					
*GRE 4150	1/2 BSP	1/4 BSP					
*GREN 4150	1/2 NPT	1/4 NPT					

* Available with low level switch. If required, add suffix "FS" to product code.

Material - BRASS Bottle - PLEXIGLAS Finish - NICKEL

Seals - FIBRE & NITRILE 80 Maximum operating temperature: 70°C



Product Code	A	B mm	C mm	D mm	E mm	F mm	Capacity ml
PRE 260	1/4 BSP	---					
PREN 260	1/4 NPT	---	99	14	60	60	140
PRE 360	3/8 BSP	---					
PREN 360	3/8 NPT	---					
PRE 268	1/4 BSP	---					
PREN 268	1/4 NPT	---	119	14	80	60	200
PRE 368	3/8 BSP	---					
PREN 368	3/8 NPT	---					

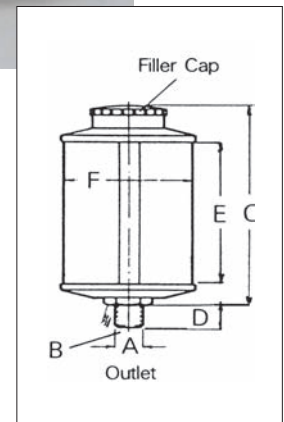
Drip Feed Lubricators



OIL RESERVOIR/ continued

Material - BRASS Bottle - PLEXIGLAS Finish - NICKEL

Product Code	A	B	C mm	D mm	E mm	F mm	Capacity ml
PRE 280	1/4 BSP	---	148	14	100	80	400
PREN 280	1/4 NPT	---					
PRE 380	3/8 BSP	---					
PREN 380	3/8 NPT	---					
*PRE 2100	1/4 BSP	---	175	14	120	100	900
*PREN 2100	1/4 NPT	---					
*PRE 3100	3/8 BSP	---					
*PREN 3100	3/8 NPT	---					
*PRE 4100	1/2 BSP	1/4 BSP	---	---	---	---	---
*PREN 4100	1/2 NPT	1/4 NPT					
*PRE 2133	1/4 BSP	---	215	14	150	133	1900
*PREN 2133	1/4 NPT	---					
*PRE 3133	3/8 BSP	---					
*PREN 3133	3/8 NPT	---					
*PRE 4133	1/2 BSP	1/4 BSP	---	---	---	---	---
*PREN 4133	1/2 NPT	1/4 NPT					
*PRE 2150	1/4 BSP	---	250	14	180	150	3000
*PREN 2150	1/4 NPT	---					
*PRE 3150	3/8 BSP	---					
*PREN 3150	3/8 NPT	---					
*PRE 4150	1/2 BSP	1/4 BSP	---	---	---	---	---
*PREN 4150	1/2 NPT	1/4 NPT					



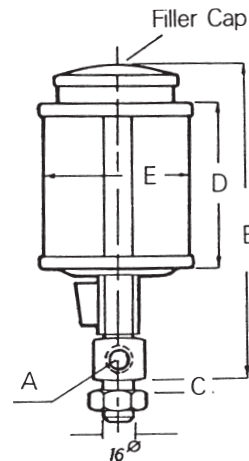
* Available with low level switch. If required add suffix "FS" to product code.

OIL RESERVOIRS - MANUAL ON/OFF

Material - BRASS Bottle - GLASS Finish - NICKEL

Seals - FIBRE & NITRILE 80 Maximum operating temperature: 80°C

Product Code	A	B mm	C mm	D mm	E mm	Capacity ml
GOS 260	1/4 BSP	150	14	60	60	140
GOSN 260	1/4 NPT					
GOS 268	1/4 BSP	170	14	80	60	200
GOSN 268	1/4 NPT					
GOS 280	1/4 BSP	210	14	100	80	400
GOSN 280	1/4 NPT					
*GOS 2100	1/4 BSP	250	14	120	100	900
*GOSN 2100	1/4 NPT					
*GOS 2133	1/4 BSP	295	14	150	133	1900
*GOSN 2133	1/4 NPT					
*GOS 2150	1/4 BSP	325	14	180	150	3000
*GOSN 2150	1/4 NPT					



* Available with low level switch. If required add suffix "FS" to product code.

Material - BRASS Bottle - PLEXIGLAS Finish - NICKEL

Seals - FIBRE & NITRILE 80 Maximum operating temperature: 70°C

Product Code	A	B mm	C mm	D mm	E mm	Capacity ml
POS 260	1/4 BSP	150	14	60	60	140
POSN 260	1/4 NPT					
POS 268	1/4 BSP	170	14	80	60	200
POSN 268	1/4 NPT					
POS 280	1/4 BSP	210	14	100	80	400
POSN 280	1/4 NPT					
*POS 2100	1/4 BSP	250	14	120	100	900
*POSN 2100	1/4 NPT					
*POS 2133	1/4 BSP	295	14	150	133	1900
*POSN 2133	1/4 NPT					
*POS 2150	1/4 BSP	325	14	180	150	3000
*POSN 2150	1/4 NPT					



* Available with low level switch. If required add suffix "FS" to product code.

Drip Feed Lubricators



SOLENOID OPERATED - OIL RESERVOIRS

Material - BRASS Bottle - GLASS Finish - NICKEL

Seals - FIBRE & NITRILE 80

Maximum operating temperature: 80°C

Electrical rating: 14VA IP20 (DIN400 50)

Product Code	A	B mm	C mm	D mm	E mm	Capacity ml
GRS 260	1/4 BSP	160	25	60	60	140
GRSN 260	1/4 NPT					
GRS 268	1/4 BSP	190	25	80	60	200
GRSN 268	1/4 NPT					
GRS 280	1/4 BSP	220	25	100	80	400
GRSN 280	1/4 NPT					
GRS 2100	1/4 BSP	250	25	120	100	900
GRSN 2100	1/4 NPT					
GRS 2133	1/4 BSP	295	25	150	133	1900
GRSN 2133	1/4 NPT					
GRS 2150	1/4 BSP	325	25	180	150	3000
GRSN 2150	1/4 NPT					

The following voltages are available:

12V DC, 24V DC, 24V AC, 110V 50Hz, 230V 50Hz, 415V 50Hz

When ordering, please state voltage required.

Material - BRASS Bottle - PLEXIGLAS Finish - NICKEL

Seals - FIBRE & NITRILE 80

Maximum operating temperature: 70°C

Electrical rating: 14VA IP20 (DIN 400 50)

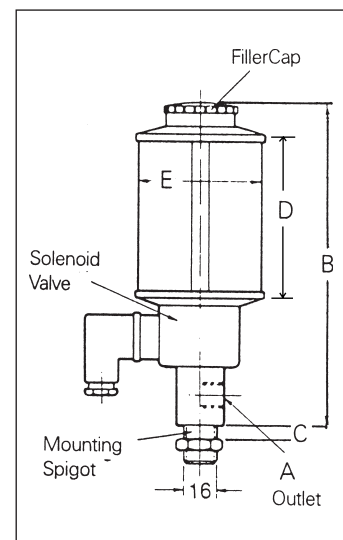
Product Code	A	B mm	C mm	D mm	E mm	Capacity ml
PRS 260	1/4 BSP	160	25	60	60	140
PRSN 260	1/4 NPT					
PRS 268	1/4 BSP	190	25	80	60	200
PRSN 268	1/4 NPT					
PRS 280	1/4 BSP	220	25	100	80	400
PRSN 280	1/4 NPT					
PRS 2100	1/4 BSP	250	25	120	100	900
PRSN 2100	1/4 NPT					
PRS 2133	1/4 BSP	295	25	150	133	1900
PRSN 2133	1/4 NPT					
PRS 2150	1/4 BSP	325	25	180	150	3000
PRSN 2150	1/4 NPT					

Timer for use with GRS/PRS shown on page number 15

The following voltages are available:

12V DC, 24V DC, 24V AC, 110V 50Hz, 230V 50Hz, 415V 50Hz

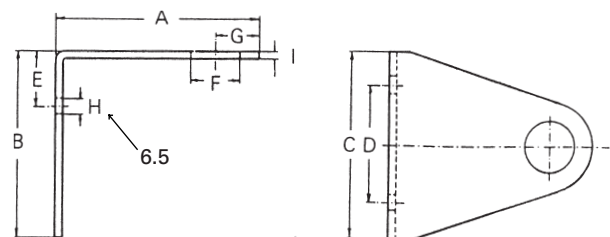
When ordering, please state voltage required.



MOUNTING BRACKET - To suit most drip feed lubricators

Product Code	A mm	B mm	C mm	D mm	E mm	F mm	G mm	I mm
MW1 90	90	80	80	50	25	21	20	3
MW1120	120	80	80	50	25	21	20	3

Material - STEEL. Finish - ZINC PLATED



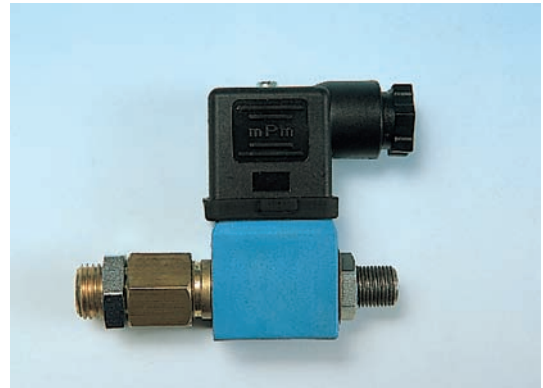
STANDARD FIXING THREAD M16x1.5

Drip Feed Lubricators

PUMP ONLY

This self priming electromagnetic pump has been designed for intermittently operated single line lubrication systems using light to medium machine and chain oils. The electric pump can be controlled by an existing machine control or by our LVT series timer.

Maximum Pressure: 1.5 bar, at approx 10 Mtrs
 Output: 21 cc/min
 Electrical rating: 18.5W IP65
 Maximum temperature: 40°C
 Inlet thread: 1/8" BSP Male
 Outlet thread: 1/8" BSP Female



Material - BRASS - PLASTIC
 Finish - NATURAL BRASS

Product Code	A BSP	B mm	C mm	D mm	E BSP	F mm	G mm	H BSP
EPT 200	1/8"	69	58	22	1/4"	10	12	1/8"

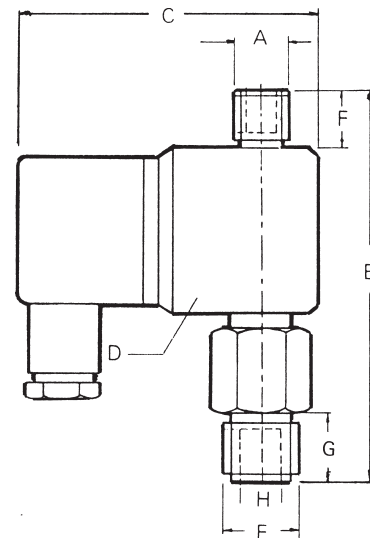
The following voltages are available: 24V 50HZ, 42V 50HZ, 48V 50HZ, 110V 50HZ, 220V 50HZ, 220V 60HZ. When ordering please state voltage required.

The pump EPT is for INTERMITTENT use only.

The following operating instructions should be followed.

CONTINUOUS, INTERMITTENT AND SHORT TIME DUTY:
 (On-time 0.5, sec to max 90, sec).
 Within this range, a continuous signal is ensured provided that the OFF time is equal to the ON time. For example: 60, sec ON and 60, sec OFF.

SHORT TIME DUTY: (On-time 90, sec to max 150, sec).
 Within this range the OFF time must be twice as long as the ON time. For example: 120, sec ON and 240, sec OFF.



For the flexible lead to connect EPT 200 pump to the control timer LVT series order product code: LVT 10780/100

COMBINED PUMP, REGULATOR AND RESERVOIR

Centralized Lubrication Units, Models GPO and PPO, have been designed for intermittently operated single line lubrication systems using light to medium machine and chain oils.

The electromagnetic pump can be controlled by an existing machine control or by our LVT series timer with an adaptor.

Maximum Pressure: 1.5 bar, at approx 10 Mtrs

Output: 21 cc/min

Electrical rating: 18.5W IP65

Maximum temperature: 40°C

Mounting thread M16 supplied with locknut

Outlet thread: 1/8" BSP Female

Material - BRASS/ALUMINIUM Bottle - GLASS
Finish - NICKEL PLATED COVERS/NATURAL BRASS

Product Code	A mm	B mm	C mm	D mm	E mm	F mm	Capacity ml
GPO 500	180	100	80	66	22	121	400
GPO 1000	200	120	100				900
GPO 2000	235	150	133				1900
GPO 3000	300	180	150				3000

Material - BRASS/ALUMINIUM Bottle - PLEXIGLAS
Finish - NICKEL PLATED COVERS - NATURAL BRASS

Product Code	A mm	B mm	C mm	D mm	E mm	F mm	Capacity ml
PPO 500	180	100	80	66	22	121	400
PPO 1000	200	120	100				900
PPO 2000	235	150	133				1900
PPO 3000	300	180	150				3000

The following voltages are available:

24V AC, 110V 50HZ, 230V 50HZ, 415V 50HZ.

When ordering please state voltage required.

Available with Low Level switch, add suffix "FS" to product code.

The electromagnetic pumps fitted to GPO and PPO are for INTERMITTENT use only.

The following operating instructions should be followed.

CONTINUOUS, INTERMITTENT AND SHORT TIME DUTY:

(On-time 0.5, sec to max 90, sec).

Within this range, a continuous signal is ensured provided that the OFF time is equal to the ON time.

For example: 60, sec ON and 60, sec OFF.

SHORT TIME DUTY: (On-time 90, sec to max 150, sec).

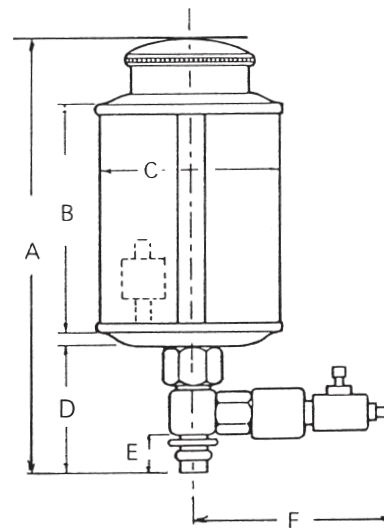
Within this range the OFF time must be twice as long as the ON time. For example: 120, sec ON and 240, sec OFF.

SPARE GLASSES AVAILABLE

To order Plexiglas use Ref PB plus diameter.

To order Glass use Ref GB plus diameter.

i.e. PB 150 Plexiglas bottle 150mm diameter.



Drip Feed Lubricators

COMBINED PUMP, REGULATOR AND RESERVOIR

Centralized Lubrication Units Model APO has been designed for intermittently operated single line lubrication systems using light to medium machine and chain oils. The electromagnetic pump can be controlled by an existing machine control or by our LVT series timer with an adaptor.

Maximum Pressure: 1.5 bar, at approx 10 Mtrs
 Output: 21 cc/min
 Electrical rating: 18.5W IP65
 Maximum temperature: 40°C
 Mounting thread M16 supplied with locknut
 Outlet thread: 1/8" BSP Female



Material - ALUMINIUM/BRASS/PLASTIC
 Finish - PAINTED GREY - NATURAL BRASS

Product Code	A mm	B mm	C mm	D mm	E mm	F mm	G mm	H mm	Capacity ml
APO 5000	250	165	155	230	325	215	20	40	5000

Material - STEEL/BRASS/PLASTIC
 Finish - PAINTED GREY - NATURAL BRASS

Product Code	A mm	B mm	C mm	D mm	E mm	F mm	G mm	H mm	Capacity ml
APO 9000	365	185	173	250	345	333	18	41	9000

The following voltages are available:
 24V 50HZ, 42V 50HZ, 48V 50HZ, 110V 50HZ, 110V 60HZ, 220V 50HZ, 220V 60HZ
 When ordering please state voltage required.

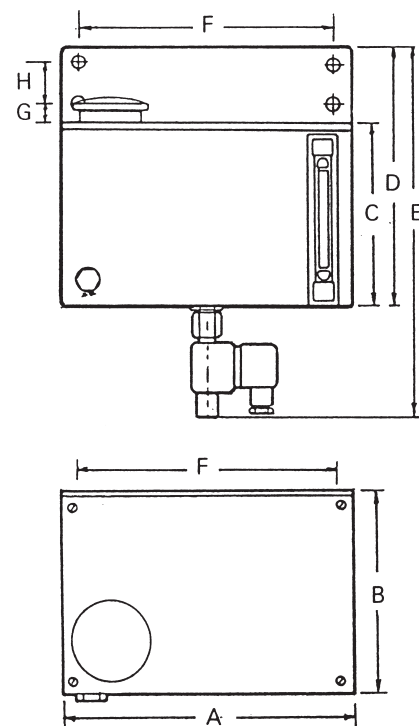
Available with Low Level switch, add suffix "FS" to product code.

The electromagnetic pumps fitted to APO is for INTERMITTENT use only.

The following operating instructions should be followed.

CONTINUOUS, INTERMITTENT AND SHORT TIME DUTY:
 (On-time 0.5, sec to max 90, sec).
 Within this range, a continuous signal is ensured provided that the OFF time is equal to the ON time. For example: 60, sec ON and 60, sec OFF.

SHORT TIME DUTY: (On-time 90, sec to max 150, sec).
 Within this range the OFF time must be twice as long as the ON time.
 For example: 120, sec ON and 240, sec OFF.

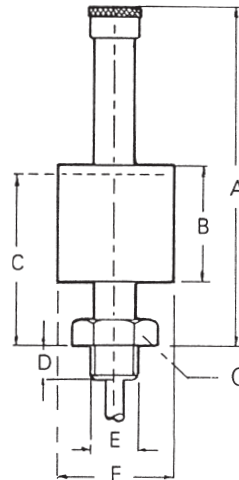


LOW LEVEL SWITCH

For monitoring liquid levels in reservoirs of all kinds. For example: Models GSD/PSD, GRS/PRS, GPO/PPO, GTM/PTM, GET/PET, etc. This magnetic switch is equipped with hermetically sealed contacts. The virtually wear-resisting "Reed Switch" is actuated by a magnetic field inside the float.. Designed for vertical installation.

Voltage: 300V AC/DC max
 Switch current: 0.5A
 Contact load: 10W
 Temperature range: - 20°C to +100°C
 Supplied with 1 meter 2 x 0.25mm 2 cable

Material - BRASS BODY with ALUMINIUM FLOAT
 Finish - NICKEL PLATED



Product Code	A mm	B mm	C mm	D mm	E BSP	F mm	G mm A/F
SMM	50	29	40	12	1/8"	25	14

PROGRAMME TIMER

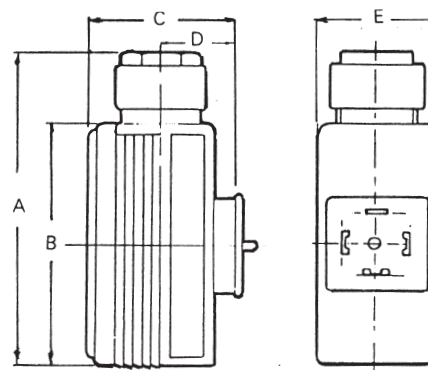
This programme timer can be fitted to all valves with the cable plug standard to DIN 43 650. Internally programmable via DIP-switches and potentionmeters, range 0.5, sec to 10 hours. Four functions can be programmed. Two LEDs display the mains voltage and valve status.

Product Code	Voltage	A mm	B mm	C mm	D mm	E mm
LVT 10780	24/48V 50-60Hz and DC	90	70	41.5	21	32
LVT 10781	110/230V 50-60Hz					



Specifications:

Timing range: On: 0.5, sec to 10 hours
 Off: 0.5, sec to 10 hours
 Switching load: 1 max = 1.5A at 24-48V/50-60Hz and DC
 1 max = 0.5A at 110-230V/50-60Hz
 Power consumption: 1.0W max
 Rating: IP 65
 Working temperature: 0°C to +60°C
 Outlet: Connector pin standard to DIN 43 650
 Material - POLYAMID BODY



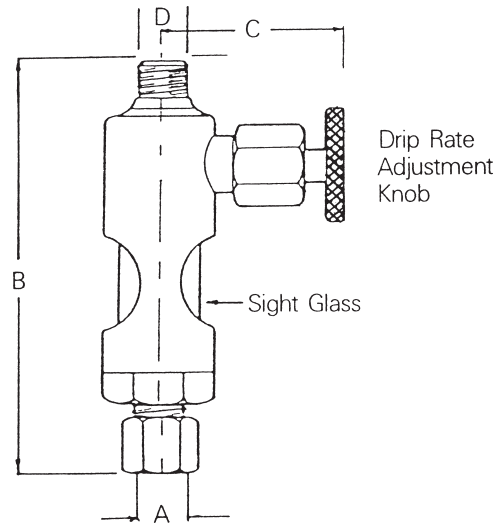
Drip Feed Lubricators



SINGLE DRIP FEED

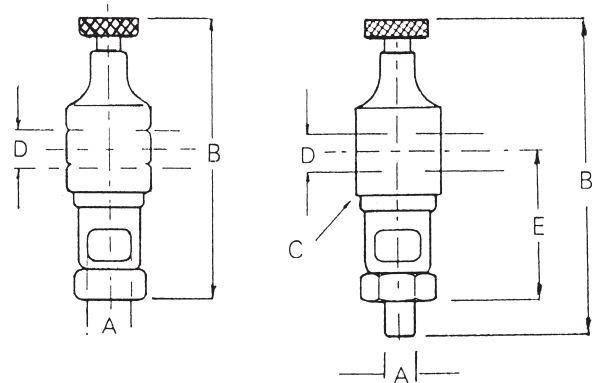
Material - BRASS, PLEXIGLAS with NATURAL FINISH

Product Code	A	B mm	C mm	D mm	-----
LV10078	4 mm OD TUBE	76	28.6	1/8 BSP	VENTED
LVN10078	5/32 OD TUBE	77	28.6	1/8 NPT	
OS3471	3/16 OD TUBE	76	28.6	1/8 BSP	UNVENTED
OSN3471	3/16 OD TUBE	77	28.6	1/8 NPT	
OS3472	1/4 OD TUBE	76	28.6	1/8 BSP	
OSN3472	1/4 OD TUBE	77	28.6	1/8 NPT	



FEMALE OUTLET

Product Code	A	B mm	C mm	D mm	E mm	----
ETR10490	1/8 BSP	70	22	1/8 BSP	38	VENTED
ETRN10490	1/8 NPT	78	22	1/8 NPT	38	



MALE OUTLET

Product Code	A	B mm	C mm	D mm	E mm	----
ETR10491	1/8 BSP	78	22	1/8 BSP	38	VENTED
ETRN10491	1/8 NPT	79	22	1/8 NPT	38	

ANGLE BRACKET

for use with ETR/ETRN

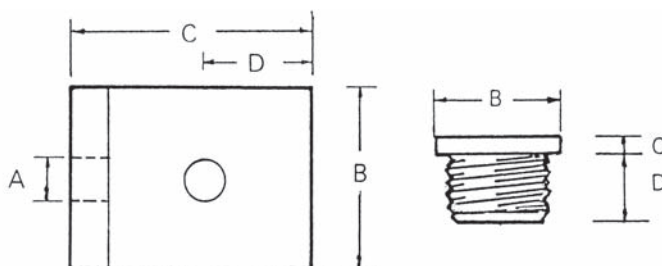
Material - BRASS with NATURAL FINISH

Product Code	A mm	B mm	C mm	D mm
ETR10490/1	6.5	22	30	10

PLUG

Material - BRASS with NATURAL FINISH

Product Code	A	B mm	C mm	D mm
ETR10490/2	1/8 BSP	14	3	8.5
ETRN10490/2	1/8 NPT	16	3	8.5

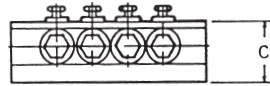
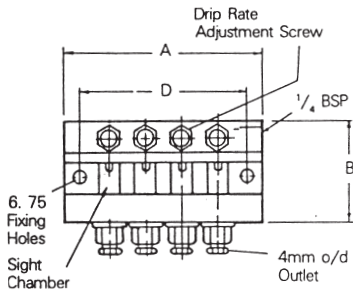


Drip Feed Lubricators

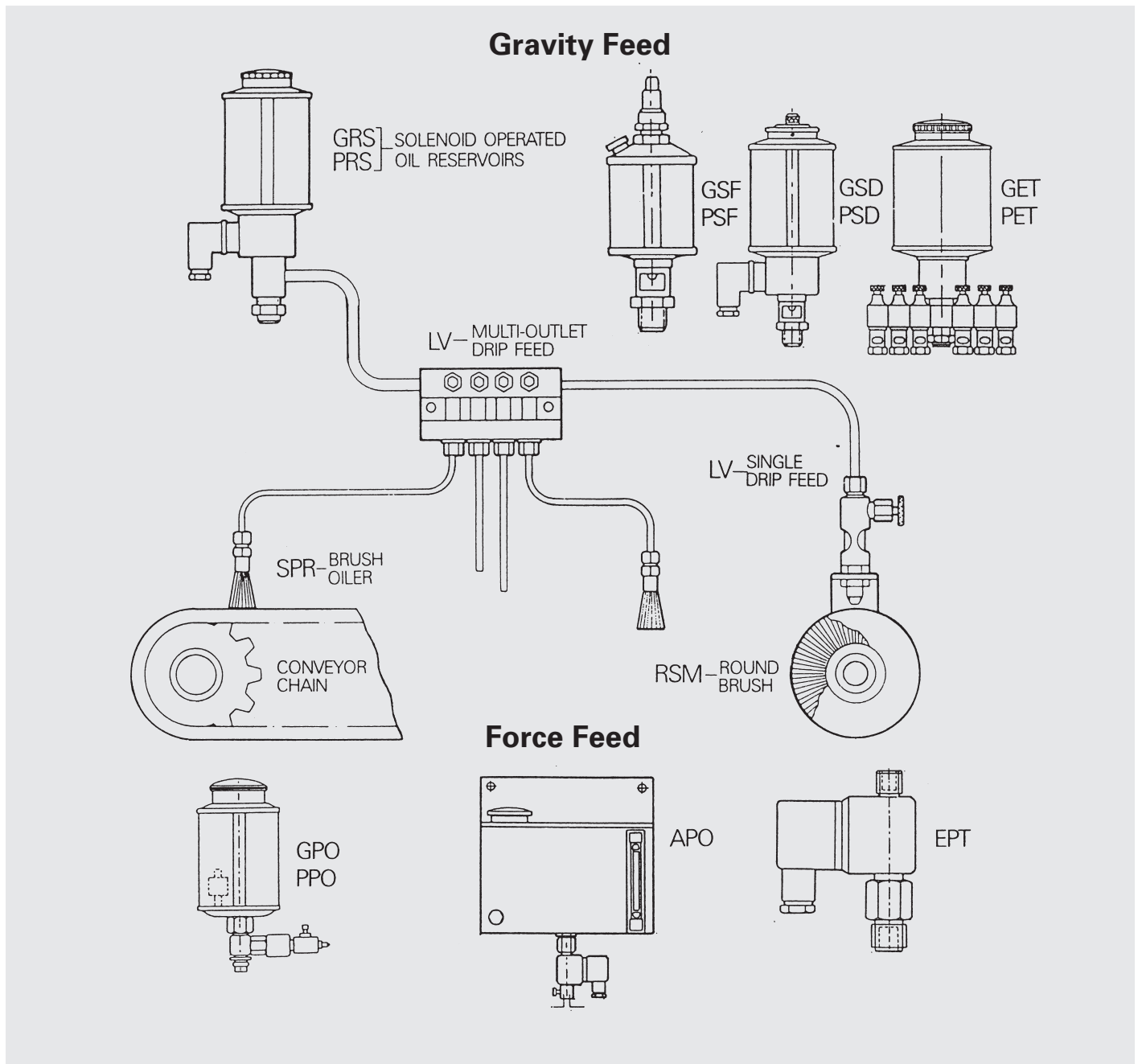
MULTI-DRIP FEED

Dimensions in mm

Product Code	No of Outlets	A mm	B mm	C mm	D mm	----
LV 10030	4	97	49.6	30.2	81	UNVENTED
LV 10031	6	132	49.6	30.2	116	



TYPICAL FEED SYSTEM



BRUSHES

Dimensions in mm

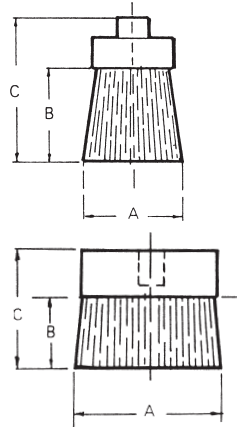
No	A	B	C	Body
----	---	---	---	------

ROUND - 1/8" BSP

SPR 6.5	6.5	50	65	Brass
SPR 16	16	30	53	Brass
SPR 25	25	45	70	Brass
SPR 30	30	45	70	Brass

FLAT - 1/8" BSP

SPF 57	57	30	50	Aluminium
--------	----	----	----	-----------



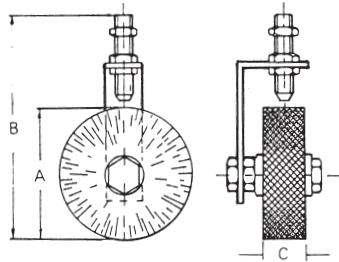
Spare brush unit Part No. SPF 57/1

CIRCULAR - 1/8" BSP

RSM 80	80	137	25	Steel Bracket
--------	----	-----	----	---------------

Spare brush unit Part No. RSM 80/1

Add suffix "N" if nylon brush is required ie SPFN 57.
Or suffix "B" if steel brush is required ie SPRB 25

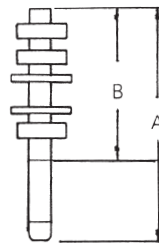


BRUSH HOLDER - Adjustable

No	A	B	Thread
PHA 60	60	47	1/8" BSP
PHA 80	80	47	1/8" BSP
PHA 120	120	47	1/8" BSP

Material - STEEL

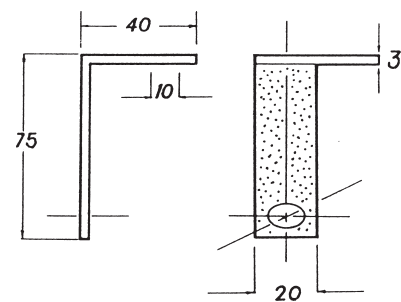
Finish - ZINC PLATE



RSMB ANGLE BRACKET FOR USE WITH PHA

Material - STEEL

Finish - ZINC PLATE



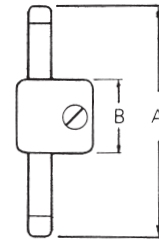
BRUSH HOLDER

For use with mounting Rail - Swivel

No	A	B	Thread
PHB 60	60	30	1/8" BSP
PHB 80	80	30	1/8" BSP
PHB120	120	30	1/8" BSP

Material - STEEL

Finish - ZINC PLATE



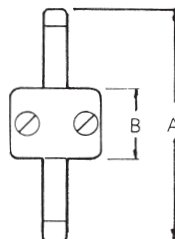
BRUSH HOLDER

For use with mounting - Rail - Fixed

No	A	B	Thread
PHC 60	60	30	1/8" BSP
PHC 80	80	30	1/8" BSP
PHC120	120	30	1/8" BSP

Material - STEEL

Finish - ZINC PLATE



TS11 MOUNTING RAIL FOR USE WITH PHB and PHC

Material - STEEL

